

ELECTRIC

REAL  FLAME



It is easy to understand the allure of a fireplace.

Providing warmth, ambience, and a mood of relaxation and calm, a fireplace can raise the character of any residential or commercial space. They can improve the look and feel of any room as a decorative feature or provide a supplemental heating source that helps reduce energy costs. If chosen with care, a fireplace can become the centrepiece of a memorable interior design, and add significant value to a property.

Versatile Visuals to suits all spaces

However, installing a traditional gas or wood fireplace is sometimes not achievable due to lack of access to fuel, cost of installation, or other factors. With their realistic flame effects and advanced features, Real Flame's electric fireplaces are making the ambience of flame accessible to all consumers – homeowners, renters, and commercial clients alike.

Effective and efficient heating

Real Flame's electric fireplaces are market leading in terms of visual appearance, design, and heating technology; resulting in a lower cost, green, functional, and stylish option. All Real Flame electric fireplaces can be operated without heat, providing a relaxing flame effect year-round for minimal cost.

Real Flame's patented technology

The patented Revillusion®, Opti-V, and Optimyst flame effects are unique in the market. From linear, to portrait, to double-sided configurations, the Real Flame range offers endless possibilities to create a stunning feature in your space.

VIVENTE 750 | 1000 | 1500



4 Viewing configurations included as standard



Patented Revillusion® technology doubles the visual depth of the firebox



Flame Connect App available for your smartphone



7-day programmable timer



8 ambient lighting themes built-in, with the option to fully customise your own theme through the app



Colour-changing flame effects



4 back panel options to suit your décor



ComfortSaver - energy efficient 1.5kW heater, offering up to 11% saving



2 fuel bed options – traditional ceramic log set and clear crystals



Anti-reflective glass

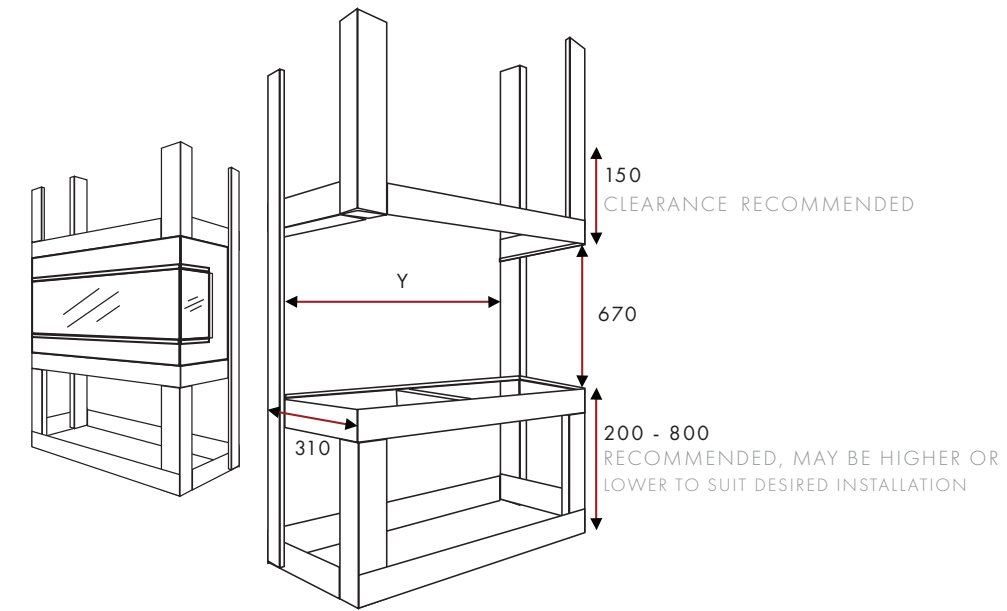


Real flame crackling sound effect



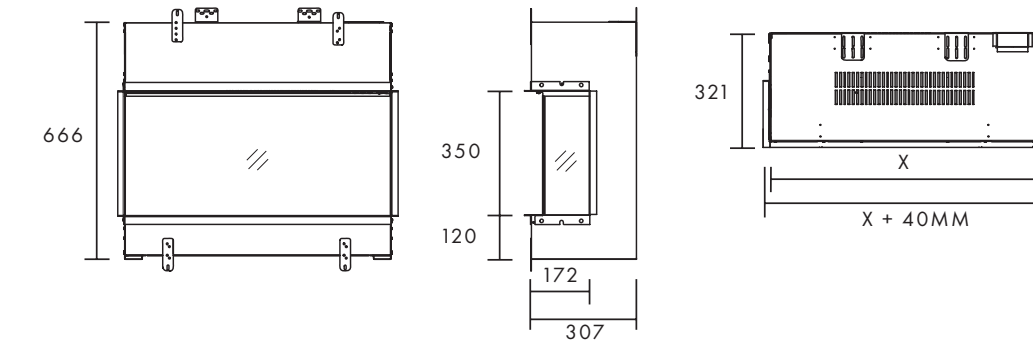
SmartSense technology to detect room movement

MINIMUM FRAMEOUT DIMENSIONS



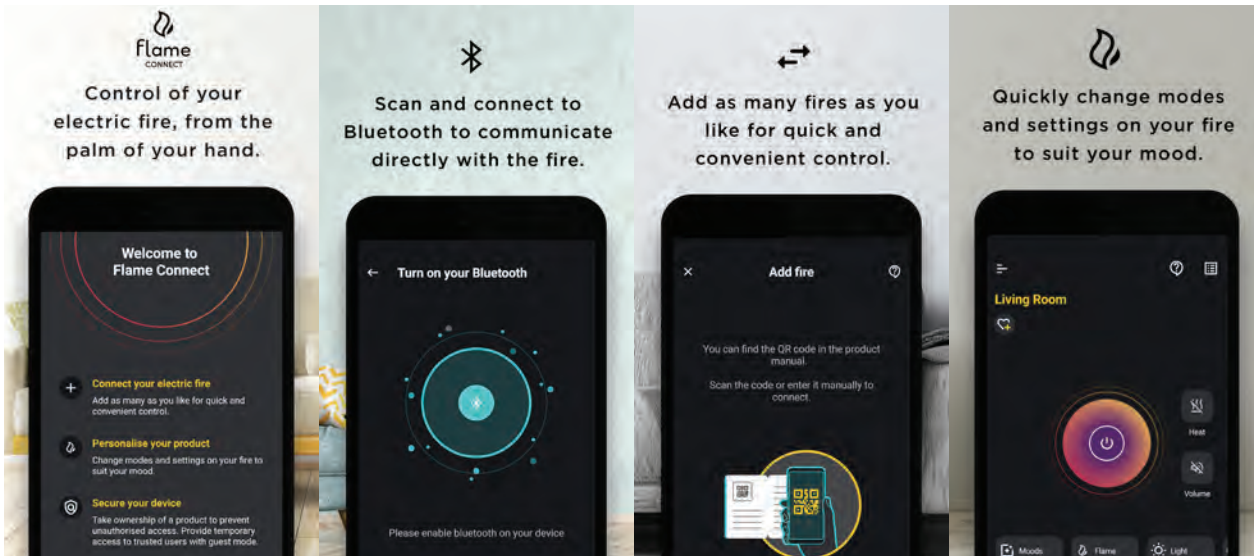
	VVT75-AU	VVT100-AU	VVT150-AU
Y	764	1014	1514

UNIT DIMENSIONS



	VVT75-AU	VVT100-AU	VVT150-AU
X	753	1003	1503

FLAME CONNECT APP



Flame Connect is a new app that places full control of your electric fire into a beautiful, easy and convenient interface, all from the palm of your hand. The app is available on Android and iOS.

Simply scan the QR code on the installation manual and connect to Bluetooth to communicate directly with your fire

Prevent unauthorised product access by linking ownership of your fire with your account

Quickly change modes and settings on your fire to suit your mood

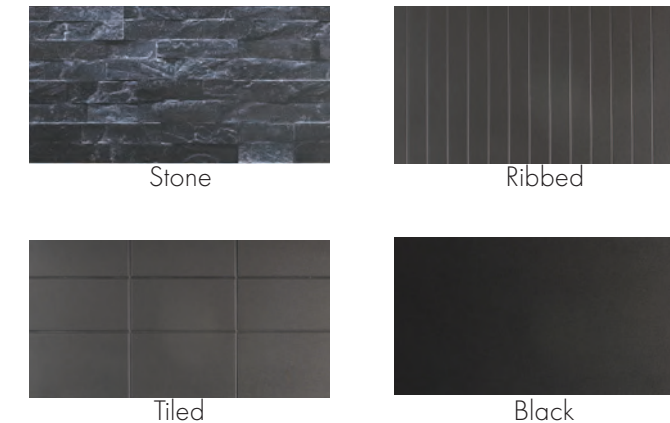
Set product schedules to automate your fire's on/ off times

Customised flame effect settings and LED colours

Enable guest mode for temporary access to other Flame Connect trusted users

Support for multiple languages and a choice of Fahrenheit and Celcius readout

BACK PANEL OPTIONS

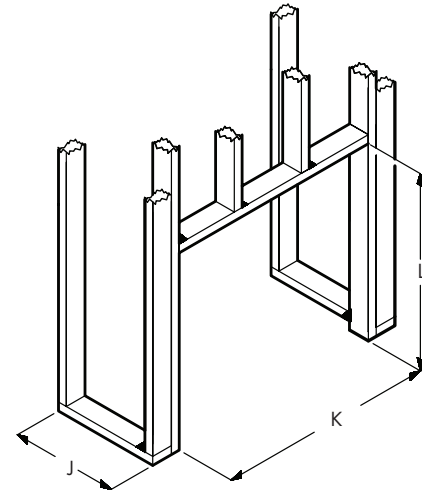


MULTIPLE FUEL BED THEMES



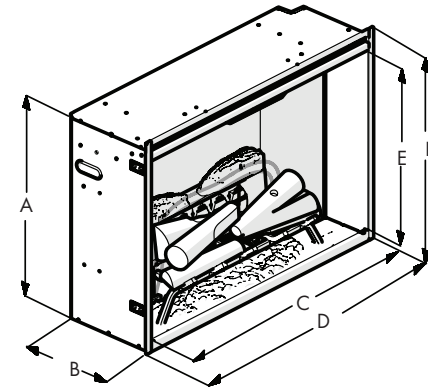
EVO 750 | 900 | 900P

MINIMUM FRAMEOUT DIMENSIONS

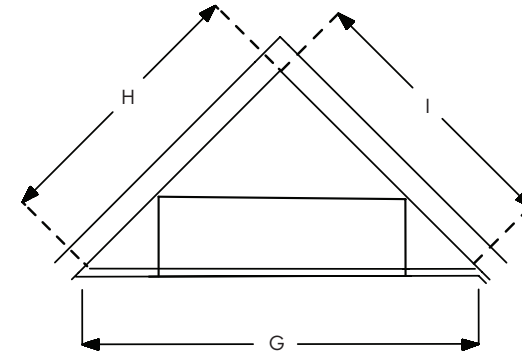


MODEL	J	K	L
EVO750-AU	318	778	665
EVO900-AU	318	930	665
EVO900P-AU	318	930	778

UNIT DIMENSIONS



MODEL	A	B	C	D	E	F	G	H	I
EVO750-AU	654	306	746	792	578	674	1378	978	978
EVO900-AU	654	306	898	944	578	674	1524	1080	1080
EVO900P-AU	768	306	898	944	691	788	1524	1080	1080



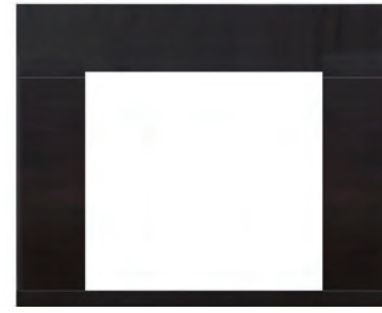
OPTIONAL ACCESSORIES



Glass
EVOGLASS900P-AU
EVOGLASS900-AU
EVOGLASS750-AU

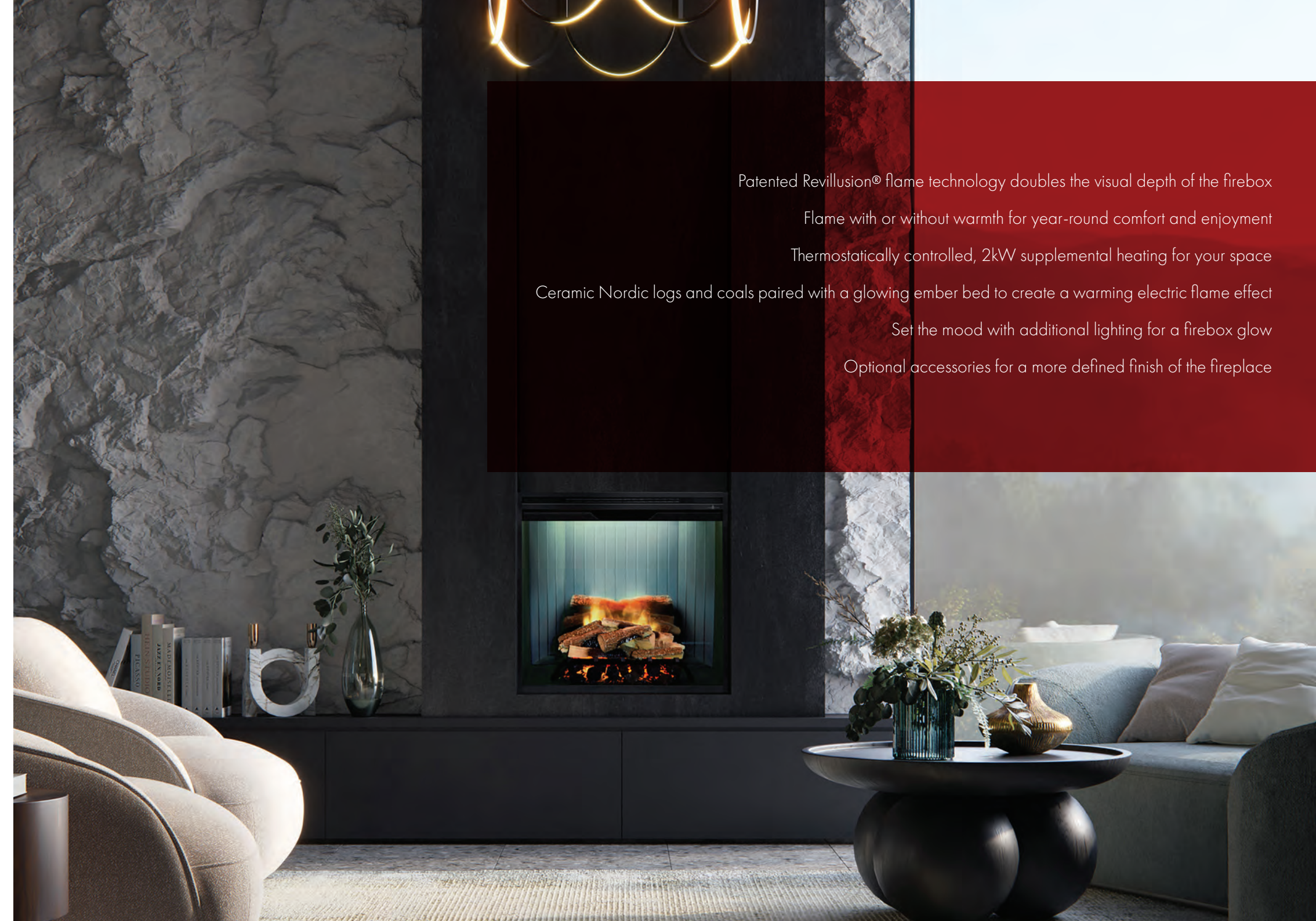


Door
EVODOOR900P-AU
EVODOOR900-AU
EVODOOR750-AU



Trim
EVO750TRIM-AU
*Only available for EVO750-AU

Patented Revillusion® flame technology doubles the visual depth of the firebox
Flame with or without warmth for year-round comfort and enjoyment
Thermostatically controlled, 2kW supplemental heating for your space
Ceramic Nordic logs and coals paired with a glowing ember bed to create a warming electric flame effect
Set the mood with additional lighting for a firebox glow
Optional accessories for a more defined finish of the fireplace



Edge-to-edge glass offers a flawless panoramic view of the dazzling flames

Flame with or without warmth for year-round comfort and enjoyment

Thermostatically controlled, 2kW supplemental heating for your space

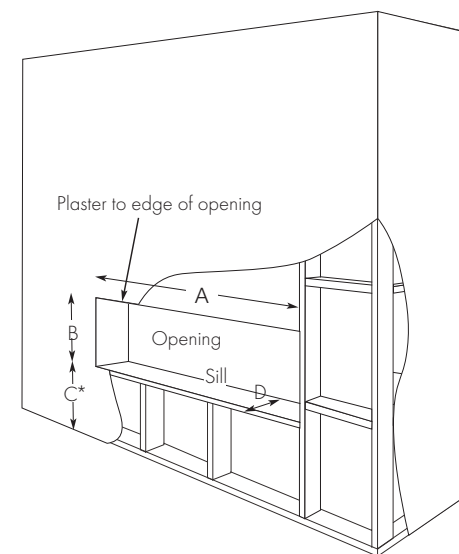
Vivid flames that are brighter and more lifelike day or night

Ideal installation for any location; great options for renovations or new builds where installation of flues are not possible



IGNITE XL 50" | 74" | 100"

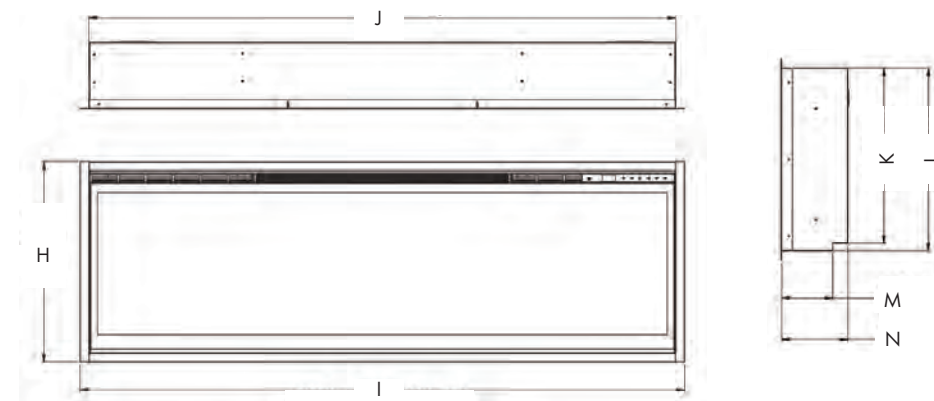
MINIMUM FRAMEOUT DIMENSIONS



MODEL	A	B	C*	D
XLF50	1287	406	600	160
XLF74	1897	406	600	160
XLF100	2557	406	600	160

*C has no minimum, these measurements are for ideal viewing only

UNIT DIMENSIONS



MODEL	H	I	J	K	L	M	N
XLF50	419	1306	1278	381	402	110	147
XLF74	419	1915	1887	381	402	110	147
XLF100	419	2576	2548	381	402	110	147

OPTIONAL ACCESSORIES



LF50DWS-KIT

Includes loose river rock, one large and one small piece of driftwood.

LF74DWS-KIT

Includes loose river rock, one small and two large pieces of driftwood.

LF100DWS-KIT

Includes loose river rock, two large and two small pieces of driftwood

Compatible with all XLF models

IGNITE XL 50" INSTALLATION KIT

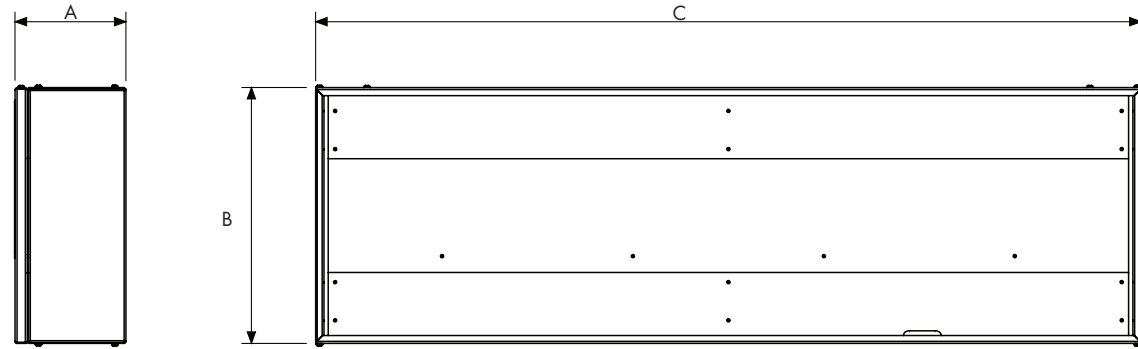
✕ Flexible installation
Accessible to all consumers – homeowners, renters, and commercial clients alike

🔪 Solid steel structure
Elegant cutting edge finish with solid steel surround

🔌 'Plug and play'
Surface mounted (plug-in) installation

↔ Edge-to-edge
Flawless panoramic view of the dazzling flame

UNIT DIMENSIONS



MODEL	A	B	C
XLF50IK	174	402	1297





High definition video and a three-dimensional illusion creates dazzling flames that flicker between the logs

Enjoy a more complete sensory experience with the sound of natural wood fire

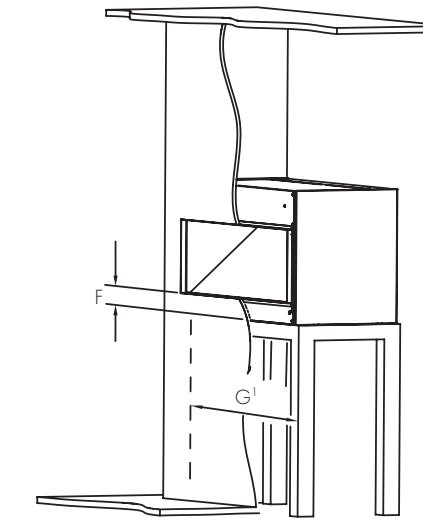
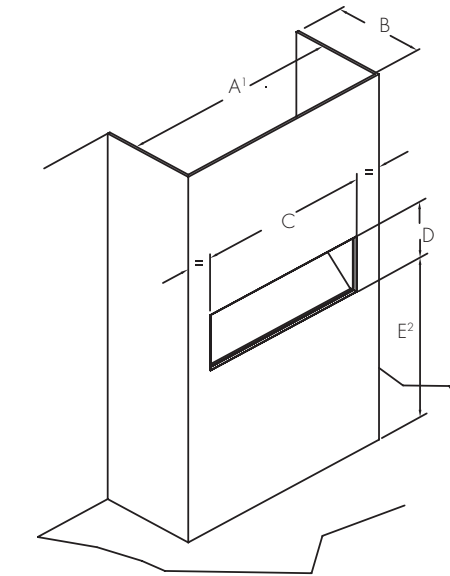
Designed with the sole purpose of providing a stunning visual flame feature

The most sustainable fireplace option; with no emissions

Uses less than 100 watts for incredibly lowcost operation

OPTI-V SINGLE & DOUBLE

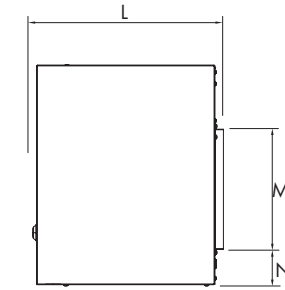
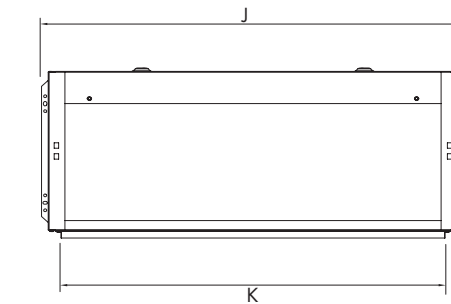
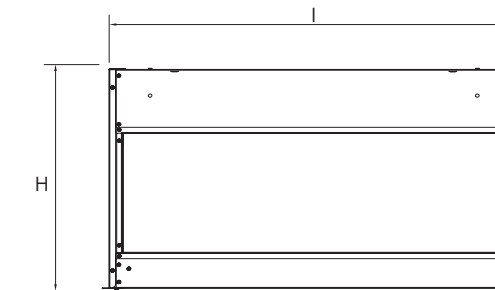
MINIMUM FRAMEOUT DIMENSIONS



	PGF10	PGF20
A	900	1500
B	380	380
C	695 - 697	1315 - 1317
D	249 - 251	249 - 251
E	650 - 1100	650 - 1100
F	69	69
G	800	1420

*1 - Minimum
 *2- E has no minimum, these measurements are for ideal viewing only

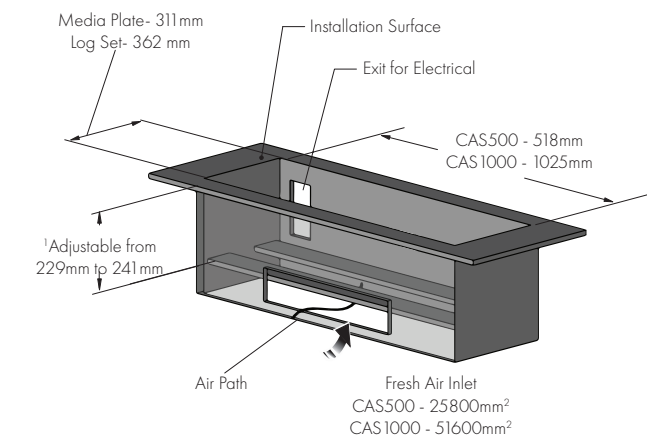
UNIT DIMENSIONS



	H	I	J	K	L	M	N
PGF10	450	736	760	694	345	248	70
PGF20	450	1356	1380	1314	345	248	70

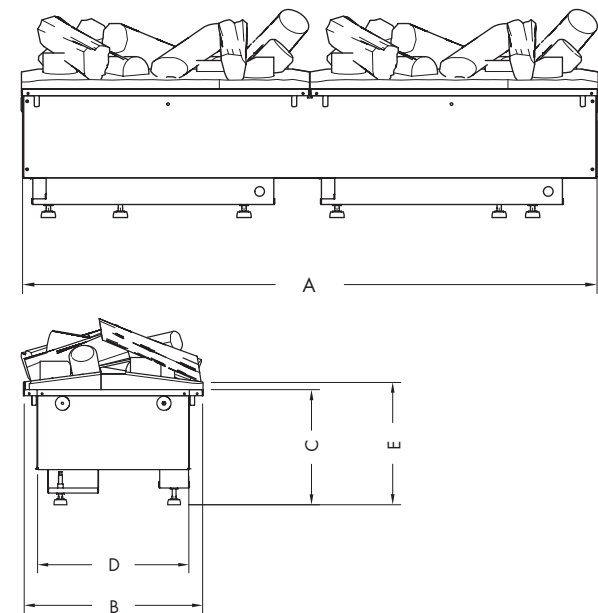
OPTIMYST 500 & 1000

MINIMUM FRAMEOUT DIMENSIONS



*1 - 229mm if the legs are closed fully
241 mm if the legs are open fully

UNIT DIMENSIONS



	A	B	C	D	E
CAS 500	508	354	226	300	236
CAS 1000	1017	354	226	300	236

ACCESSORIES



CAS 500 Log Kit supplied as standard



CAS 1000 Log Kit (includes two log sets) supplied as standard



CAS 500 Media Tray supplied as standard



CAS 1000 Media Tray supplied as standard



Realistic Optimyst flame and smoke effect and also the only water-based flame technology which is safe to touch

Customisable installation length, number of visible sides, flame shape & media bed

Complete sensory experience with the sound of wood fire

Ideal installation for any location and any surface or finishing material





Glen Dimplex Australia Pty Ltd
8 Lakeview Drive,
Scoresby, VIC 3179
T 1300 554 155
E flame@glendimplex.com.au



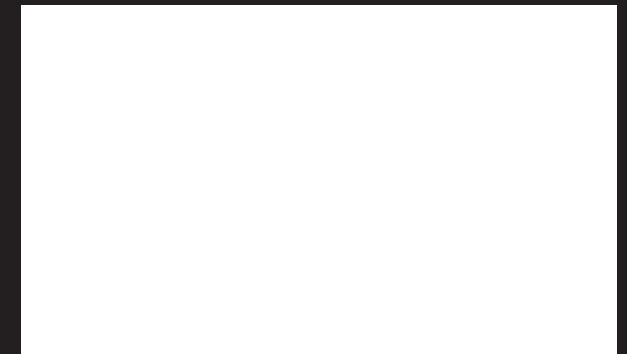
Real Flame is a registered trademark of
Glen Dimplex Australia Pty Ltd, all rights reserved.

RF_ELECTRIC 22

Glen Dimplex New Zealand Ltd
PO Box 58473,
Botany, Auckland
T 0800 666 2824
E info@realflame.co.nz



Authorised Real Flame Dealer



realflame.com.au | realflame.co.nz