



Contemporary Styled **Wood Heaters**



blazefireplaces.com.au



Designed for modern Australian homes

With a 30-year history of manufacturing wood fireplaces, Blaze has become Australia's first choice for stylish, high-quality wood heaters.

Our unrivalled knowledge and industry expertise mean we're always boldly innovating to deliver the best in contemporary fireplace designs, modern materials and unique features which add value, depth and warmth to people's living spaces.

Providing excellent convection heat coverage, the Blaze range meets the current emission and efficiency requirements as set by the Australian Standards. Our heaters are built to provide year after year of warmth and come with a 10 Year Warranty. We are proud of our Australian designed Blaze range.





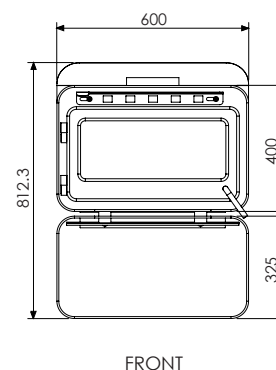
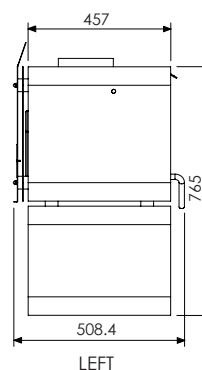
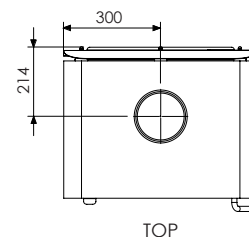
B100

The Blaze B100 is small in foot print but a powerful radiant wood heater with a minimalistic design and easy to use features. Modern stainless steel handle, cast iron door, large viewing window and constructed with 6mm steel. The B100 is just quirky enough to be uniquely stylish.

Model	Coverage	Efficiency	Heat Output	Emmissions	Heating Style	Weight
B100	120 - 160m ²	Ave 75%	Ave 12kW	0.96g/kg	Radiant	115kg

Clearances

Model	Flue shield	Side	Rear	Front	Corner
B100	900mm Rear Flue Shield	700	200	300	400
	Decromesh with 450mm Inner Reflector	600	225	300	400
	Solid outer with 450mm inner reflector	600	225	300	400



*All dimensions contained within this document are in millimeters (mm) unless specified otherwise. In the interest of product development, Glen Dimplex Australia Pty Ltd reserve the right to change the specifications without prior notice of the Blaze range products.



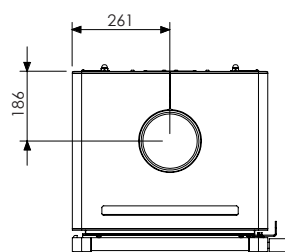
B400 (with 3 speed remote control fan)

The Blaze B400 Potrait woodstacker is the latest addition to the contemporary Blaze wood heating range. It features a “floating” outer skin as well as the classic Blaze stainless steel handle. The modern design incorporate convenient wood storage and a large viewing window to allow stunning views of the flames.

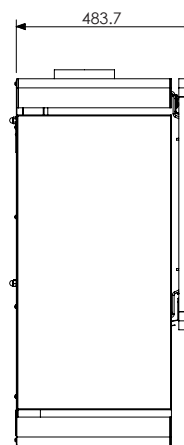
Model	Coverage	Efficiency	Heat Output	Emmissions	Heating Style	Weight
B400	160 - 190m ²	Ave 63%	Ave 10kW	1.1g/kg	Convection	147kg

Clearances

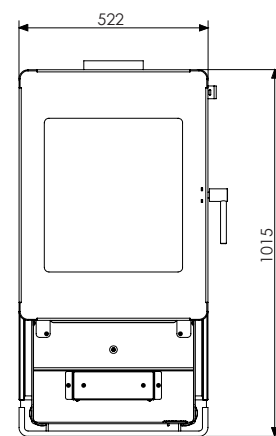
Model	Flue shield	Side	Rear	Front	Corner
B400	900mm Rear Flue Shield	400	100	300	175
	Decromesh with Inner Reflector	400	150	300	200
	Solid outer with Inner Reflector	400	150	300	200



TOP



LEFT



FRONT

*All dimensions contained within this document are in millimeters (mm) unless specified otherwise. In the interest of product development, Glen Dimplex Australia Pty Ltd reserve the right to change the specifications without prior notice of the Blaze range products.



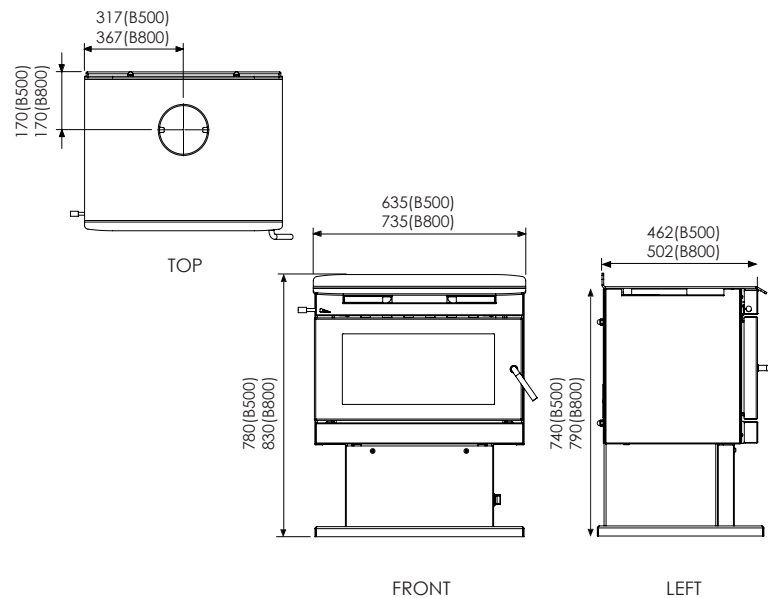
B500 & B800 (with 3 speed manual control fan)

The Blaze B500 & B800 models are designed in Australia which has excellent efficiency with amazing coverage of up to 260m². Built to suit any corner of the Australian home that will make a stylish statement.

Model	Coverage	Efficiency	Heat Output	Emmisions	Heating Style	Weight
B500	160 - 190m ²	Ave 60%	Ave 10kW	0.71g/kg	Convection	131kg
B800	220 - 260m ²	Ave 64%	Ave 13kW	0.88g/kg	Convection	167kg

Clearances

Model	Flue shield	Side	Rear	Front	Corner
B500	900mm Rear Flue Shield	350	125	300	100
	Decromesh with 450mm Inner Reflector	350	125	300	100
	Solid outer with 450mm inner reflector	350	125	300	100
B800	900mm Rear Flue Shield	425	175	400	150
	Decromesh with 450mm Inner Reflector	425	175	400	150
	Solid outer with 450mm inner reflector	425	175	400	150



*All dimensions contained within this document are in millimeters (mm) unless specified otherwise In the interest of product development, Glen Dimplex Australia Pty Ltd reserve the right to change the specifications without prior notice of the Blaze range products.



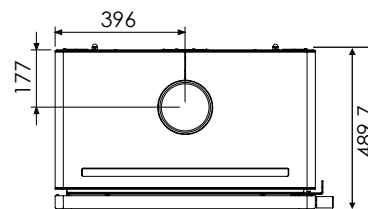
B700 (with 3 speed remote control fan)

The B700 landscape model is a new addition to the Blaze wood heating range with modern design that incorporate convenient wood storage, as well as powerful heat output which is further enhanced by a 3-speed remote control fan. The expansive viewing area of the fire will also elevate your fireside experience.

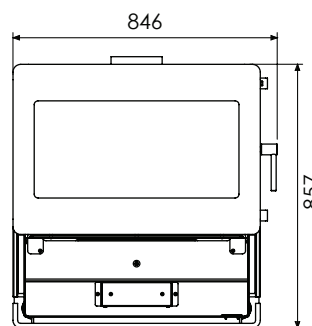
Model	Coverage	Efficiency	Heat Output	Emmissions	Heating Style	Weight
B700	220 - 260m ²	Ave 64%	Ave 16kW	1.1g/kg	Convection	188

Clearances

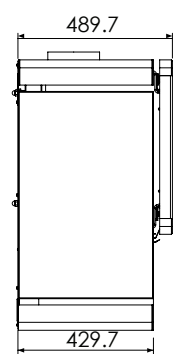
Model	Flue shield	Side	Rear	Front	Corner
B700	900mm Rear Flue Shield	450	150	600	150
	Decromesh with 450mm Inner Reflector	450	175	600	150
	Solid outer with 450mm inner reflector	450	150	600	150



TOP



FRONT



LEFT

*All dimensions contained within this document are in millimeters (mm) unless specified otherwise. In the interest of product development, Glen Dimplex Australia Pty Ltd reserve the right to change the specifications without prior notice of the Blaze range products.



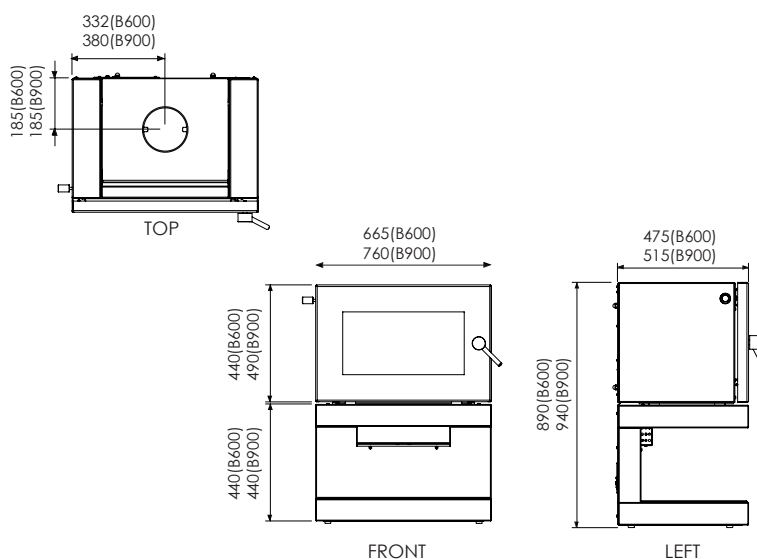
B600 & B900 (with 3 speed remote control fan)

The B600 & B900 Range not only looks modern and contemporary but it has excellent efficiency with amazing coverage. Offering a standard 3 speed remote fan control and 6mm toughened glass wood stack base. 6mm steel construction with a large internal firebox. The easy to use functions make the B600 & B900 models an all-round winner.

Model	Coverage	Efficiency	Heat Output	Emmissions	Heating Style	Weight
B600	150 - 190m ²	Ave 70%	Ave 9kW	0.67g/kg	Convection	155kg
B900	200 - 260m ²	Ave 72%	Ave 11kW	0.74g/kg	Convection	190kg

Clearances

Model	Flue shield	Side	Rear	Front	Corner
B600	900mm Rear Flue Shield	425	150	300	150
	Decromesh with 450mm Inner Reflector	425	225	300	150
	Solid outer with 450mm inner reflector	425	225	300	150
B900	900mm Rear Flue Shield	375	175	300	150
	Decromesh with 450mm Inner Reflector	375	225	300	150
	Solid outer with 450mm inner reflector	375	225	300	150



*All dimensions contained within this document are in millimeters (mm) unless specified otherwise. In the interest of product development, Glen Dimplex Australia Pty Ltd reserve the right to change the specifications without prior notice of the Blaze range products.



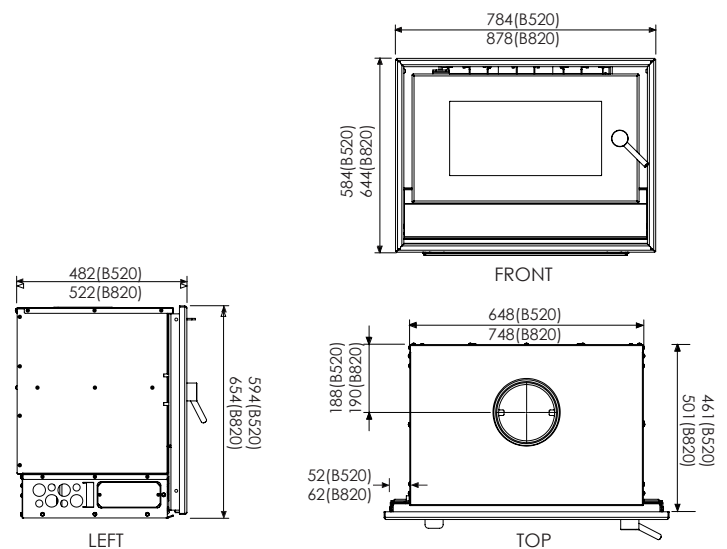
B520 & B820 (with 3 speed remote control fan)

The B520 and B820 Insert range have been designed to be installed into a full masonry cavity or with an optional zero clearance kit. Easy to use features make the Blaze Insert models a great addition to any living space. 6mm steel construction, Black chrome handle, ceramic glass and firebrick internal lining of the firebox.

Model	Coverage	Efficiency	Heat Output	Emmissions	Heating Style	Weight
B520	140 - 180m ²	Ave 65%	Ave 7.2kW	1.3g/kg	Convection	137kg
B820	200 - 260m ²	Ave 61%	Ave 9.2kW	0.9g/kg	Convection	175kg

Hearth requirements

		B520		B820	
		Cement Sheet	Brick	Cement Sheet	Brick
A	Thickness	15	110	15	110
	Width	900	900	1000	1000
	Front door	400	300	500	300
B	Thickness	7.5	110	7.5	110
	Width	900	900	1000	1000
	Front door	300	300	300	300



*All dimensions contained within this document are in millimeters (mm) unless specified otherwise. In the interest of product development, Glen Dimplex Australia Pty Ltd reserve the right to change the specifications without prior notice of the Blaze range products.

B605 & B905 (with 3 speed remote control fan)

The Blaze B605 & B905 models not only look modern and contemporary but it also has excellent efficiency with amazing coverage. Offering a standard 3 speed remote fan control and 6mm toughened glass table top, the Blaze B605 & B905 are designed to enhance any living space.

Model	Coverage	Efficiency	Heat Output	Emmisions	Heating Style	Weight
B605	150 - 190m ²	Ave 70%	Ave 9kW	0.67g/kg	Convection	153kg
B905	200 - 260m ²	Ave 72%	Ave 11kW	0.74g/kg	Convection	198kg

Clearances

Model	Flue shield	SC	SR	SL	R	C	F
B605	900mm Rear Flue Shield	425	505	425	150	150	300
	Decromesh with 450mm Inner Reflector	425	505	425	225	150	300
	Solid outer with 450mm inner reflector	425	505	425	225	150	300
B905	900mm Rear Flue Shield	425	505	425	150	150	300
	Decromesh with 450mm Inner Reflector	425	505	425	225	150	300
	Solid outer with 450mm inner reflector	425	505	425	225	150	300

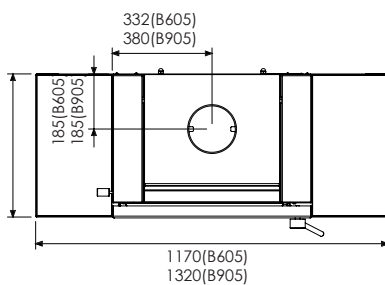
Configurations available



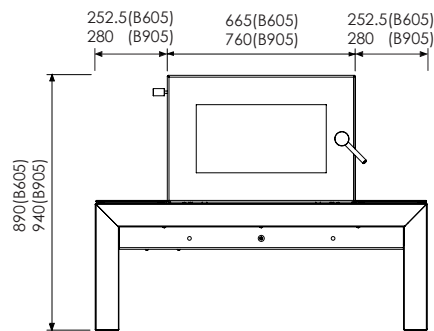
Left Mount (SL)



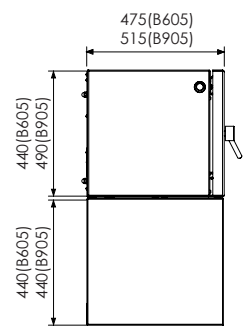
Right Mount (SR)



TOP



FRONT



LEFT

*All dimensions contained within this document are in millimeters (mm) unless specified otherwise. In the interest of product development, Glen Dimplex Australia Pty Ltd reserve the right to change the specifications without prior notice of the Blaze range products.





Authorised Appointed Dealer



Glen Dimplex Australia Pty Ltd
8 Lakeview Drive,
Scoresby, VIC 3179
T 1300 554 155
flame@glendimplex.com.au

blazefireplaces.com.au

BLAZE BRO_2021